



TRUST. WELL EARNED.

HORIZON COMPACT 15/27/kV Outdoor Circuit Breaker

A substation frame, stand or pole-mounted vacuum circuit breaker with SF₆ insulation in a self-contained package, the Horizon Compact expands our Horizon family of products.



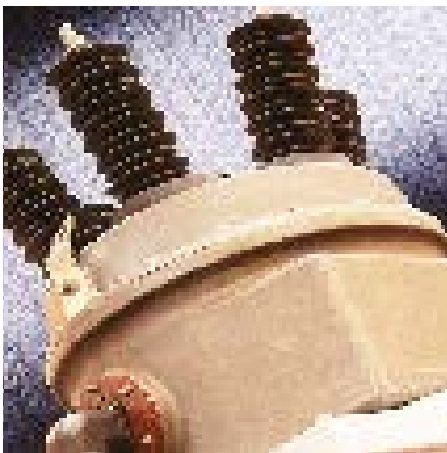
Featuring the most advanced operating mechanism available on the market today – the award-winning magnetic actuator technology, the Horizon Compact offers unrivalled reliability, protection and environmental endurance for outdoor circuit breakers.

Designed for a 15kV or 27kV application, the Horizon Compact can be used with other products from BRUSH Switchgear to provide cost-effective and compact substations or breathe new life into existing substations by replacing old and obsolete equipment.

Key Features

- Superior, proven technology with minimal maintenance
- Uses a magnetic actuator driven vacuum circuit breaker without the need for electronic control

- EPDM Bushings
- Corrosion resistant, light weight Aluminium tank and cover
- Dead tank construction suitable for live or dead tank applications
- Internal arc certified
- Cubicle with space for ancillary equipment and option for integrated control and customer specified protection relay
- Substation frame, stand or pole-mounted, the Horizon Compact can be integrated into the most advanced distribution schemes or operate as a stand alone breaker
- Variety of mounting options provide compact solution where space is at premium



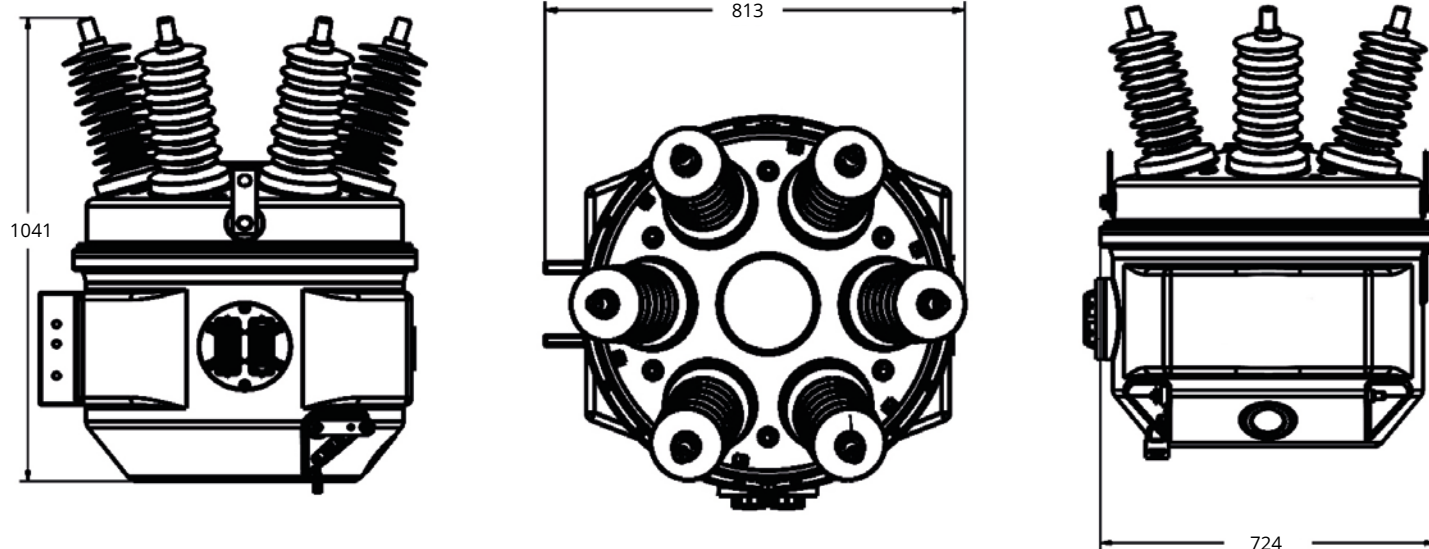
Ratings

Maximum System Voltage	kV	15.5	27
Continuous Current	A	1250	1250
Interrupting Current	kA	25	25
Impulse Voltage Withstand	kV	110	125
Ambient Air Temperature	°C	-50 to +50	-50 to +50
Maximum Weight	lbs	650	650

ANSI Standards:

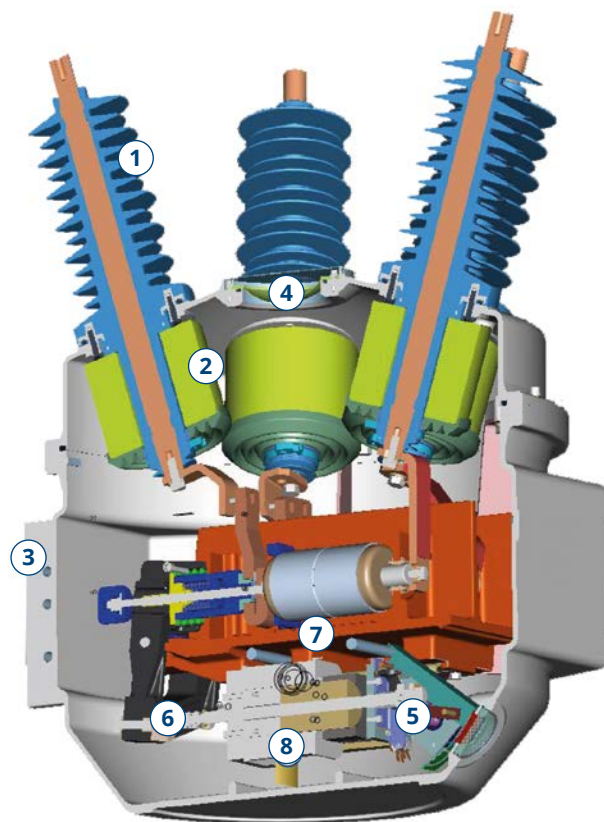
- ANSI C37.06
- ANSI C37.09

Dimensions (mm)



Horizon Compact Mechanical Features

- 1 EPDM bushings with a variety of terminal connection options available.
- 2 Current Transformers are located inside the aluminium housing, providing sealed protection from the environment.
- 3 Lightweight aluminium housing, secured by stainless steel bolts and incorporating rubber 'O' ring seals.
- 4 Pressure-relief disc, to comply with IEC 60298, offering the highest levels of safety.
- 5 Mechanical ON/OFF position indication visible through clear viewing window from ground level.
- 6 Manual trip and lockout handle on the side of the Horizon Compact tank.
- 7 A single moulding supports the three phase vacuum interrupter assembly, magnetic actuator mechanism and one-piece drive beam.
- 8 Bulkhead connection to control cubicle.



BRUSH

Switchgear Division: Unit 3, Blackwood Business Park, Newport Road, Blackwood, South Wales NP12 2XH United Kingdom

T: +44 (0) 1495 223 001